

Technical data sheet for  
**BENCH TOPS 600mm**

BT8600-CB, BT8600-LS



BT8600-CB



BT8600-LS

- Heavy-duty construction
- Cabinet Base or Leg Stand
- Stainless steel exterior
- Easy clean
- Fully modular
  
- Low back models (BTL) available

### Overall Construction

#### WORK BENCH

- 3.5mm thick compound work surface
  - 1.5mm 304 stainless steel top
  - 2.0mm galvanised steel backing
- Welded 1.5mm stainless steel bull nose
- Splashback and side panels 1.2mm stainless steel

#### CABINET BASE (SUPPLIED AS –CB MODEL)

- Modular for suite matched finish
- Double skin 0.9mm stainless steel interior and exterior
- GN 1/1 4 position racking kit
- 63mm dia. heavy-duty 1.2mm stainless steel legs with adjustable feet

#### LEG STAND (SUPPLIED AS –LS MODEL)

- Modular for suite matched finish
- 63mm dia. heavy-duty 1.2mm stainless steel legs with adjustable feet
- Framed stand shelf with 0.9mm stainless steel finish
- Quick assembly design (no tools required)

# Technical data sheet for BENCH TOPS 600mm



## Specifications

### DIMENSIONS

#### All models

Width 600mm  
Depth 805mm  
Height 915mm  
Incl. splashback 1130mm  
Incl. low back 972mm

### NETT WEIGHT

#### Cabinet Base models

59kg

#### Leg Stand models

47kg

### PACKING DATA

#### Cabinet Base models

0.55m<sup>3</sup>, 111kg  
Width 495mm  
Depth 870mm  
Height 1260mm

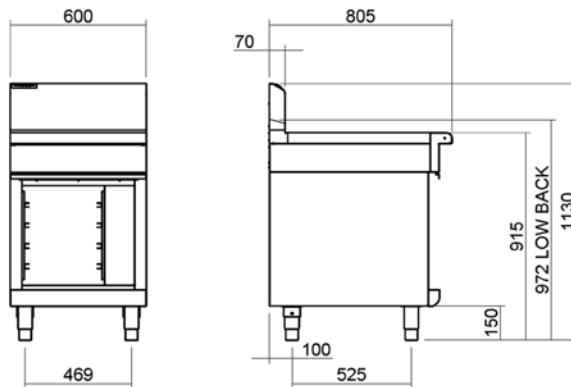
#### Leg Stand models

0.29m<sup>3</sup>, 83kg  
Width 495mm  
Depth 870mm  
Height 665mm

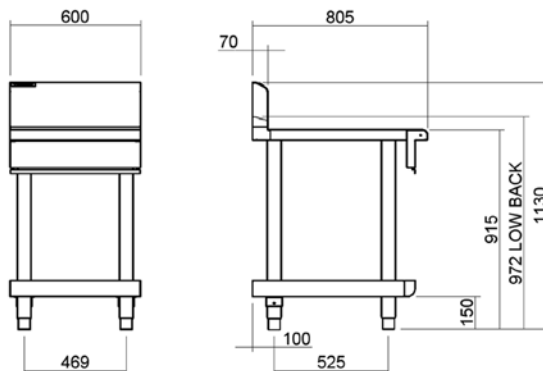
### OPTIONS AT EXTRA COST

Castors  
Plinth mounting

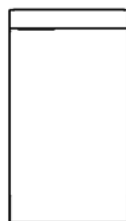
BT8600-CB, BTL8600-CB  
CABINET BASE



BT8600-LS, BTL8600-LS  
LEG STAND



BT8600



Australia  
[www.moffat.com.au](http://www.moffat.com.au)  
New Zealand  
[www.moffat.co.nz](http://www.moffat.co.nz)

Australia  
Moffat Pty Limited

Victoria/Tasmania  
740 Springvale Road  
Mulgrave, Victoria 3170  
Telephone 03-9518 3888  
Facsimile 03-9518 3833  
[vsales@moffat.com.au](mailto:vsales@moffat.com.au)

New South Wales  
Telephone 02-8833 4111  
[nswsales@moffat.com.au](mailto:nswsales@moffat.com.au)

South Australia  
Telephone 03-9518 3888  
[vsales@moffat.com.au](mailto:vsales@moffat.com.au)

Queensland  
Telephone 07-3630 8600  
[qldsales@moffat.com.au](mailto:qldsales@moffat.com.au)

Western Australia  
Telephone 08-9202 6820  
[bgarcia@moffat.com.au](mailto:bgarcia@moffat.com.au)

New Zealand  
Moffat Limited

Christchurch  
Telephone 03-389 1007  
[sales@moffat.co.nz](mailto:sales@moffat.co.nz)

Auckland  
Telephone 09-574 3150  
[sales@moffat.co.nz](mailto:sales@moffat.co.nz)



Designed and manufactured by



ISO9001  
All Waldorf products are designed and manufactured by Moffat using the internationally recognised ISO9001 quality management system, covering design, manufacture and final inspection, ensuring consistent high quality at all times.

In line with policy to continually develop and improve its products, Moffat Limited reserves the right to change specifications and design without notice.

Printed in China

© Copyright Moffat Limited  
Moffat/1135/06.09

