

Technical data sheet for  
**BENCH TOPS 900mm**

BT8900-CB, BT8900-LS, BT8900-RB



BT8900-CB



BT8900-LS



BT8900-RB

- Heavy-duty construction
- Cabinet Base, Leg Stand or Refrigerated Base
- Stainless steel exterior
- Easy clean
- Fully modular
  
- Low back models (BTL) available

**Overall Construction**

**WORK BENCH**

- 3.5mm thick compound work surface
  - 1.5mm 304 stainless steel top
  - 2.0mm galvanised steel backing
- Welded 1.5mm stainless steel bull nose
- Splashback and side panels 1.2mm stainless steel

**CABINET BASE (SUPPLIED AS –CB MODEL)**

- Modular for suite matched finish
- Double skin 0.9mm stainless steel interior and exterior
- GN 1/1 4 position racking kit
- 63mm dia. heavy-duty 1.2mm stainless steel legs with adjustable feet

**LEG STAND (SUPPLIED AS –LS MODEL)**

- Modular for suite matched finish
- 63mm dia. heavy-duty 1.2mm stainless steel legs with adjustable feet
- Framed stand shelf with 0.9mm stainless steel finish
- Quick assembly design (no tools required)

**REFRIGERATED BASE (SUPPLIED AS –RB MODEL)**

- Self contained suite matched modular base
- Ventilated system with R134a refrigerant
- -2° to + 8°C temperature (Tropical Climate rated)
- Two GN 1/1 drawers
- 100mm deep pan capacity
- Heavy-duty European telescopic drawer guides
- Magnetic drawer gaskets (replaceable without tools)
- 50mm fully foamed CFC free insulation
- 304 stainless steel exterior and interior
- Anti-corrosion treated evaporator
- No condensate drain required
- 63mm dia. heavy-duty 1.2mm 304 stainless steel legs with adjustable feet
- Condensing unit removable through front of unit for service
- Easy clean interior
- Digital control electronic thermostat
- Automatic defrost
- Automatic evaporation of defrost water
- -2° to +8°C temperature range

# Technical data sheet for BENCH TOPS 900mm

## Specifications

### DIMENSIONS

#### All models

Width 900mm  
Depth 805mm  
Height 915mm  
Incl. splashback 1130mm  
Incl. low back 972mm

### NETT WEIGHT

#### Cabinet Base models

88kg

#### Leg Stand models

70kg

#### Refrigerated Base models

116kg

### PACKING DATA

#### Cabinet Base models

1.02m<sup>3</sup>, 153kg  
Width 945mm  
Depth 870mm  
Height 1260mm

#### Leg Stand models

0.54m<sup>3</sup>, 120kg  
Width 945mm  
Depth 870mm  
Height 665mm

#### Refrigerated Base models

1.02m<sup>3</sup>, 181kg  
Width 945mm  
Depth 870mm  
Height 1260mm

### REFRIGERATED BASE

#### Type

Ventilated system

#### Refrigerant

R134a (160grams)

#### Climate classification

T – tropical

#### Electrical connection

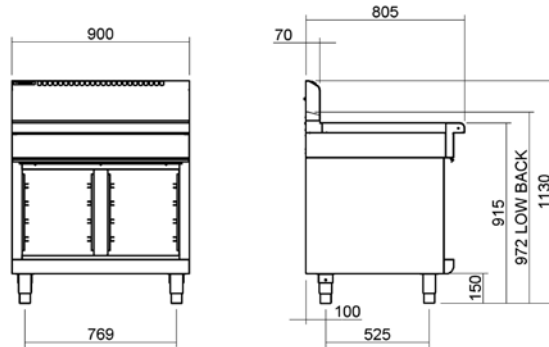
220-240Vac, 50Hz, 1.8A, 1P+N+E  
3 pin 10A plug cordset fitted

### OPTIONS AT EXTRA COST

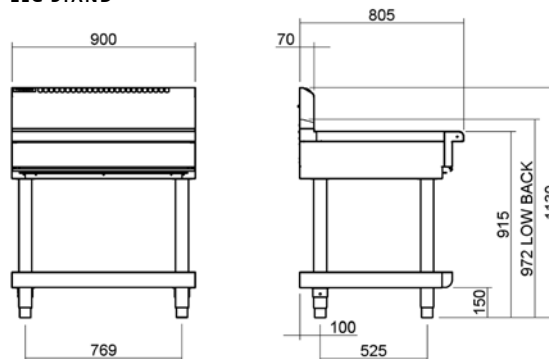
Castors

Plinth mounting

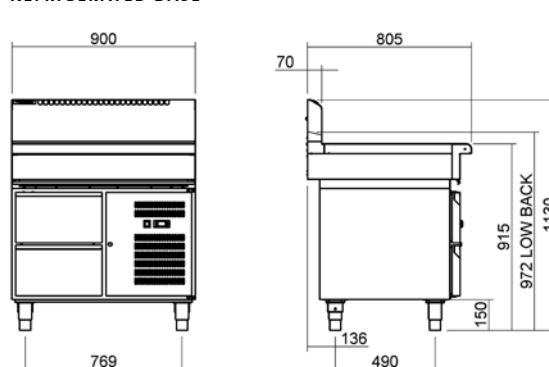
**BT8900-CB, BTL8900-CB**  
CABINET BASE



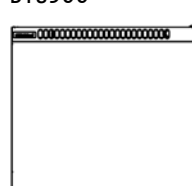
**BT8900-LS, BTL8900-LS**  
LEG STAND



**BT8900-RB, BTL8900-RB**  
REFRIGERATED BASE



**BT8900**



**MOFFAT**

Australia  
www.moffat.com.au  
New Zealand  
www.moffat.co.nz

Australia  
Moffat Pty Limited

Victoria/Tasmania  
740 Springvale Road  
Mulgrave, Victoria 3170  
Telephone 03-9518 3888  
Facsimile 03-9518 3833  
vsales@moffat.com.au

New South Wales  
Telephone 02-8833 4111  
nswsales@moffat.com.au

South Australia  
Telephone 03-9518 3888  
vsales@moffat.com.au

Queensland  
Telephone 07-3630 8600  
qldsales@moffat.com.au

Western Australia  
Telephone 08-9202 6820  
bgarcia@moffat.com.au

New Zealand  
Moffat Limited

Christchurch  
Telephone 03-389 1007  
sales@moffat.co.nz

Auckland  
Telephone 09-574 3150  
sales@moffat.co.nz



Designed and manufactured by



ISO9001  
All Waldorf products are designed and manufactured by Moffat using the internationally recognised ISO9001 quality management system, covering design, manufacture and final inspection, ensuring consistent high quality at all times.

In line with policy to continually develop and improve its products, Moffat Limited reserves the right to change specifications and design without notice.

Printed in China

© Copyright Moffat Limited  
Moffat/1135/06.09

